



**Leica Geosystems**  
Incident Mapping Suite

# Map360 v3.0.3.248

Features and Benefits





## Table of Contents

Map360 V3.0.....	2
New: Crush Analysis.....	2
New: Group & Ungroup .....	3
New: Dynamic Text Label.....	4
Enhanced: 3D Capable Advanced Linetypes .....	5
Enhanced: Other Improvements.....	5

## Map360 V3.0

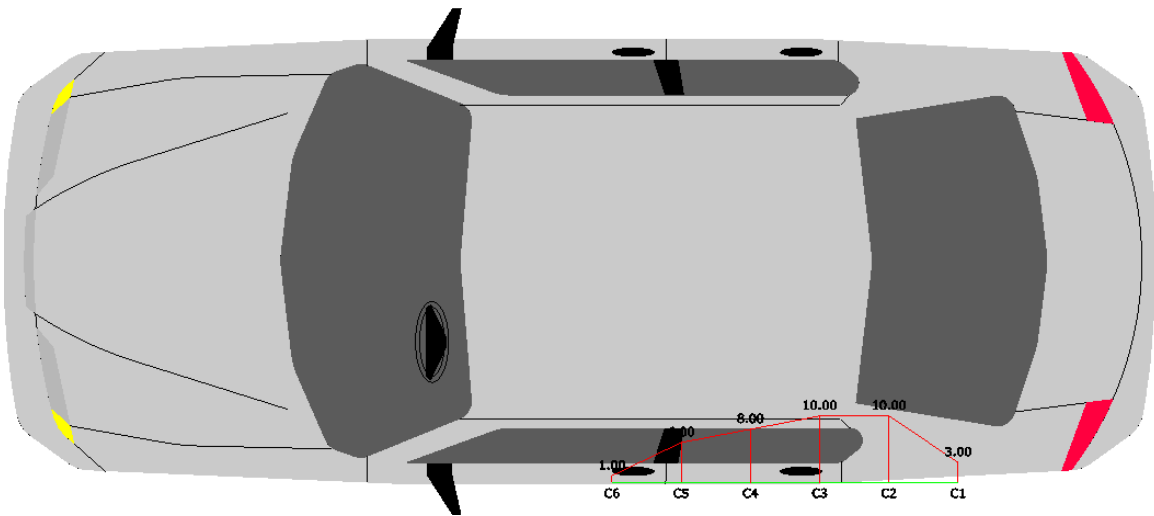
Release Date: July 18, 2019

[Map360 V3.0 Overview Movie](#)

[V3.0 Release Notes](#)

### New: Crush Analysis

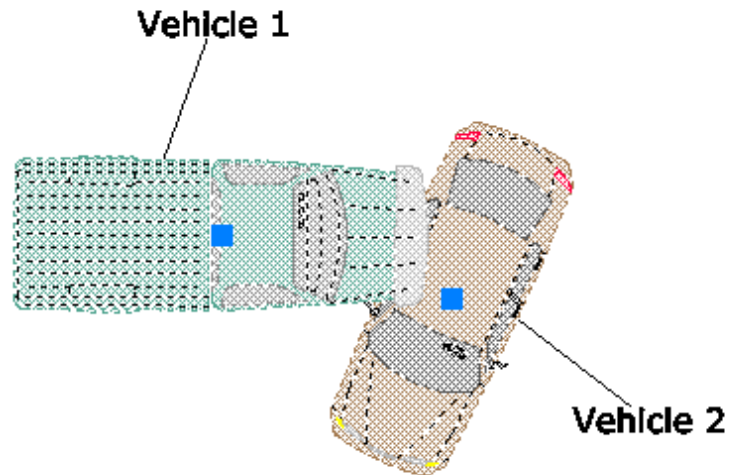
Upgrade Tour Movie: [Crush Analysis](#)



Feature	Benefit
Crush Analysis	<p>Quickly determine the crush energy and equivalent barrier speed from crush measurements using the C2/C4/C6 method.</p> <p>The crush tool can be used with measurement data, an image, symbol, or point cloud.</p>

## New: Group & Ungroup

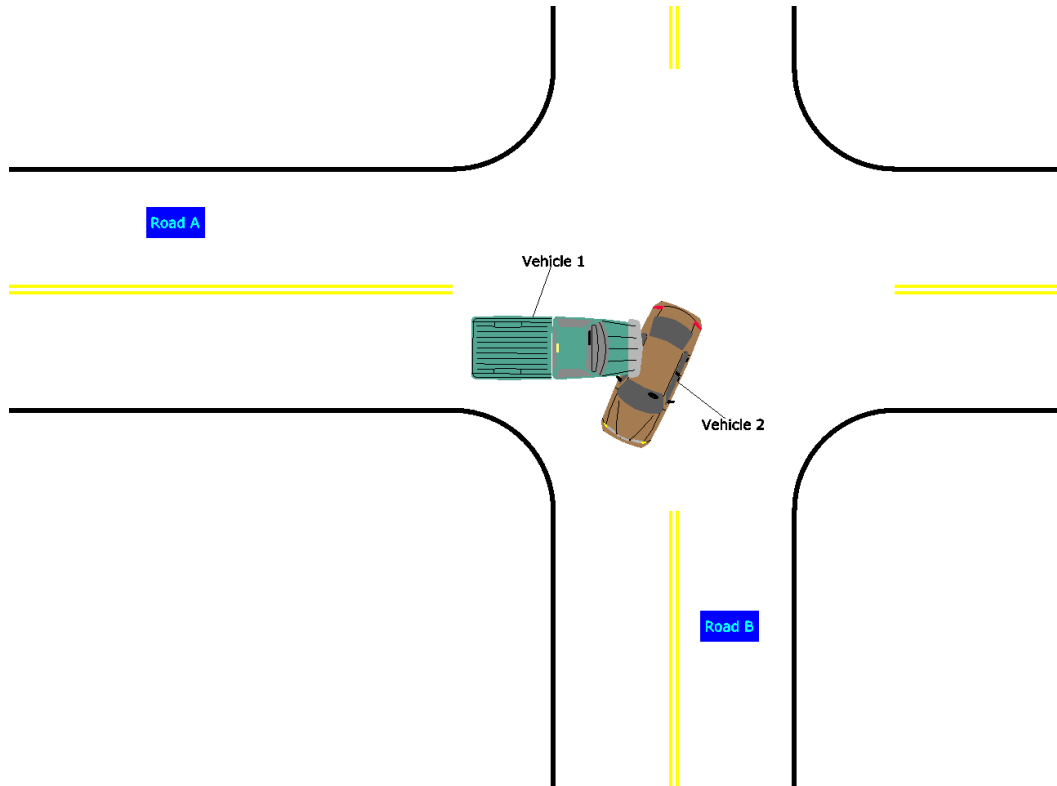
Upgrade Tour Movie: [Group & Ungroup](#)



Feature	Benefit
Group & Ungroup	Easily group items together for quick selection and modifications such as move, rotate, and copy.  To make individual edits, the items can be ungrouped just as easily.

## New: Dynamic Text Label

Upgrade Tour Movie: [Dynamic Text Labels](#)



Feature	Benefit
Dynamic Text Label	<p>Insert text labels with a click of a button and easily add a leader line.</p> <p>Apply a background masking color for the label to stand out and double click the label to make edits at any time.</p> <p>These labels will dynamically adjust so they are clearly visible in any view.</p>

## Enhanced: 3D Capable Advanced Linetypes

Upgrade Tour Movie: [3D Capable Advanced Linetypes](#)



Feature	Benefit
Improved Advanced Linetypes	<p>The advanced linetypes are now fully 3D capable! Create compelling diagrams with roadway lines, barriers, and fences that follow the elevation changes of the road.</p> <p>To avoid roadway line falling below the uneven road surface, the z-factor can be adjusted. For the advanced lines to appear filled in, check the realistic checkbox.</p>

## Enhanced: Other Improvements

Feature	Benefit
Updated IntelliCAD engine	Map360 v3.0 is powered by the latest IntelliCAD technology. This update provides critical bug fixes, and a few new features such as the fully customizable tool palettes.
Updated Point Cloud engine	This update includes various improvements to performance and rendering as well as new features such as password protected LGS files. Map360 v3.0 supports the latest Leica Geosystems Cyclone 9.4, JetStream 1.6, and Cyclone Register360 1.6.
Bug Fixes	Map360 V3.0 includes critical bug fixes addressing stability and performance – please refer to the Release Notes for complete details.