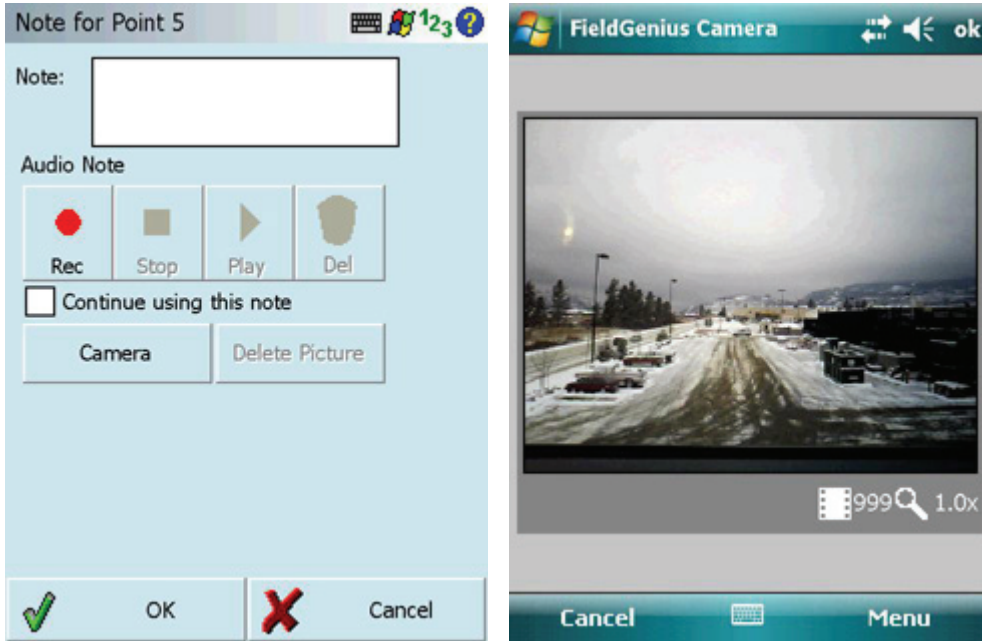


# Evidence Recorder 7.0.0 Release Notes

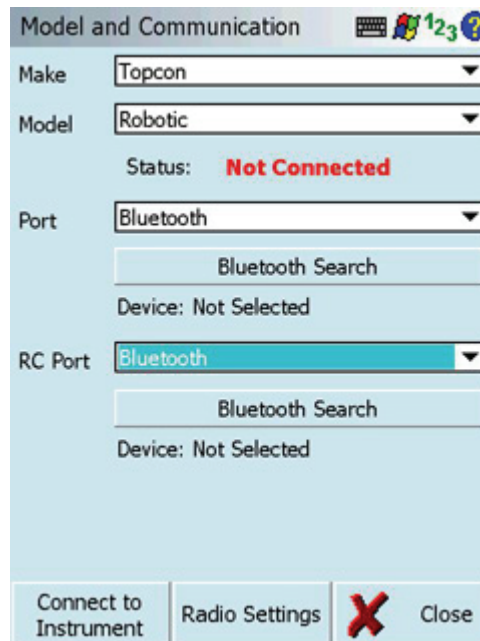
Released on: January 19, 2010

## New Features

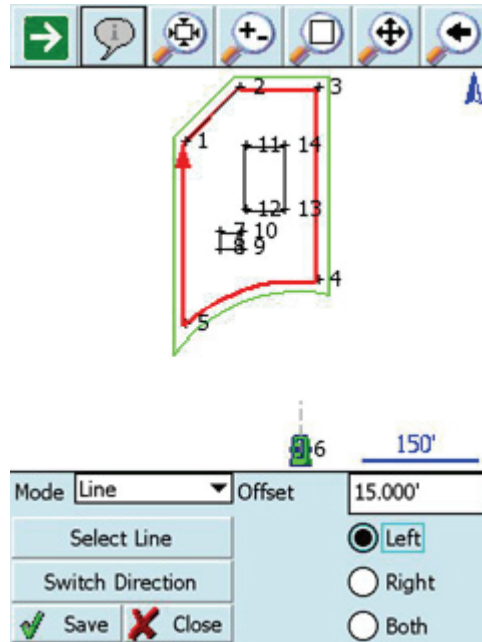
**Nautiz X7** - Support for the camera function in the new Nautiz X7 data collector. Attach photo notes to points in your Evidence Recorder project.



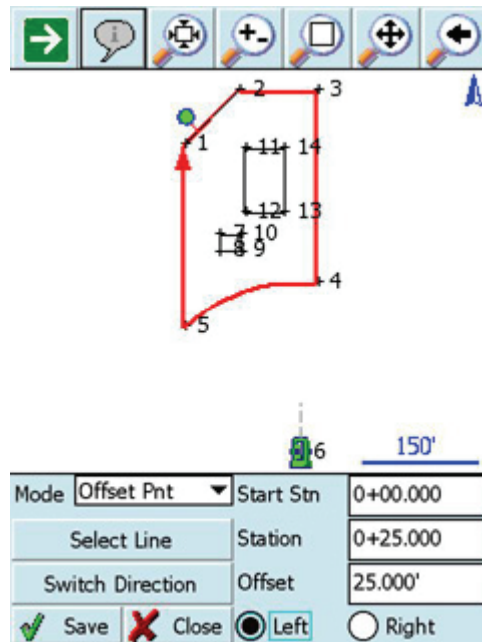
**Total Station Bluetooth Manager** – Control all your Bluetooth connections for Total Station profiles directly inside Evidence Recorder. Bluetooth settings automatically saved in the profile.



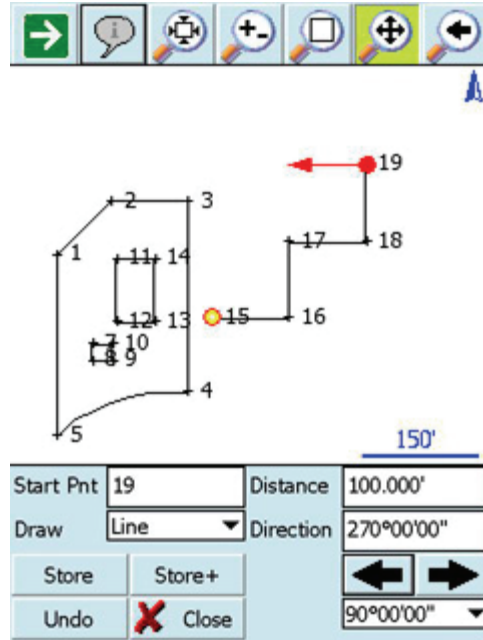
**Line Offset**– You can now offset figures in Evidence Recorder. You can offset to the left, right or both and Evidence Recorder will compute new points and offset lines for you automatically. Currently it only works with figures, not DXF entities.



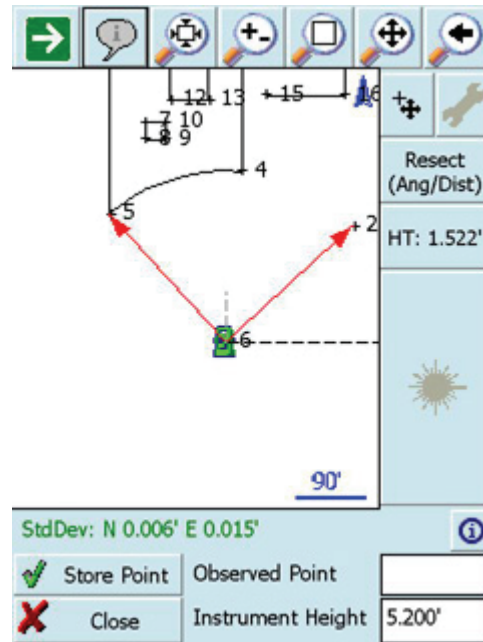
**Offset Points** – You can now compute points down individual segments, or along a whole figure. You can also switch directions now. You can select new segments, figures and DXF entities without leaving the toolbar.



**Plan Builder** – A new tool replaces the old Tape Measure routine. New easier to use direction keys make it more intuitive. You can also now choose to only store points without lines connected. You can also draw arcs now as well.



**Resection** – Improved resection routine stays minimized at the bottom of the screen while you take measurements. Also improved error reporting about the resected position.



### ***Improved/Updated Features***

**Topcon RC3** – Improved instrument control when using RC3 units. Evidence Recorder will automatically determine if the RC unit should use low power or high power mode depending on environment conditions.

**Topcon Internal Radios** – Evidence Recorder now is fully compatible with the internal radios for the FC-2500, FC-200, and FC-250. Also compatible with the Sokkia version such as the SHC2500.

**Sokkia Instruments** – Improved the Bluetooth communication with Sokkia total stations to address connection issues.

**Sokkia RC-PR4** – Evidence Recorder now supports the trigger button on the RC-Handle.

**EDM Mode Button** – a new EDM mode button on the instrument toolbar allows for quick access to EDM modes for your instrument.

### ***Fixed***

**Sokkia SRX** – When staking with tracking turned on, and the instrument set to feet, the in/out/left/right distances would be out by 3.28 feet.

**Archer / Leica** – When using the Archer and certain Leica instruments (400 & 700 series), if the user powered off the Archer while Evidence Recorder was running, then later turned it back on and continued surveying, the vertical angle of the last shot could get used by Evidence Recorder when a new measurement was made.